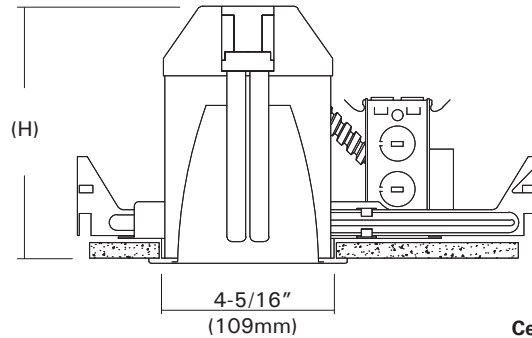


DLF-104

4" NON-IC Vertical Housing For 13W, 18W or 26W DTT/TTT Lamps

Catalog #		Type
Project		Date
Prepared by		

FLUORESCENT



**Ceiling Cut-out : 4-3/8"
Lamp, Max, Watt. : 26W**

DESCRIPTION & APPLICATION

The DLF-104 is a 4" aperture housing for (1) vertical CFL lamps. The DLF-104 is designed for use in both non-insulated and insulated ceilings. Insulation material must be kept a minimum of 3" from all sides of the housing.

DESIGN FEATURES

• Housing

- Single wall aluminum housing.
- 6-5/16" height allows use in 2" x 8" joist construction.
- Housing adjusts for ceilings up to 1-1/4" thick.

• Junction Box

- Listed for through branch circuit wiring. (Max. 8 No 12 AWG 90°C branch circuit conductors. (4 in, 4 out)
- (5) 1/2" knockouts with true pry-out slots and (4) knockouts with Romex cable clamp.
- Ground wire provided on J-box.

• Reflector

- Anodized clear, haze, gold, champagne, pewter color finished full reflectors. Anodized reflectors with lensed and wall wash trims.

• Mounting Frame

- Galvanized steel construction.
- 8"L x 5-1/2"W

• Socket

- G24Q/GX24Q socket for use 4 pin DTT, TTT lamps.

• Bar Hangers

- Maximum extension of 24" allows for extra distance between joists.
- Housing can be positioned at any point within 24" joist span.
- Score lines allow "toolless" shortening for 12" joists. Bar hangers may be repositioned 90 degrees.
- Integral T-bar clips snaps onto T-bars and no additional clips are required.

• Just-A-Nail

- Pre-installed nail bars with vertical slots are used to evenly align the bars horizontally after nailing halfway into wood joists.

• Trim

- White plastic ring or plated chrome, satin nickel, polished brass, natural steel color ring.

• Lamp

- Compact, Fluorescent lamps.
 - * DTT-Double twin tube (Quad/CFQ)
 - (1) 13W DTT (4 pin)
 - (1) 18W DTT (4 pin)
 - (1) 26W DTT (4 pin)
 - * TTT-Triple Twin Tube (CFTR)
 - (1) 18W TTT (4 pin)
 - (1) 26W TTT (4 pin)

• Ballast

- Class P Thermally protected by internal fuse (3 amp fast blow), Multi-volt electronic ballast or thermal switch in magnetic ballast.
- High Power Factor Multi-volt Electronic ballasts for 4 pin type compact fluorescent lamps or Magnetic ballast for 2 pin lamps mounted on J-box door for easy access from inside of fixture.

* Listing

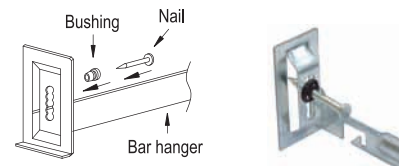
- UL, c-UL listed for damp location.
- UL, c-UL listed for feed through.

	13W	18W, 26W
H	5-1/2" (140mm)	6-5/16" (160mm)

*(H):Height

• Just-A-Nail

Adjustable nail hanger bar for easy alignment.



JUST-A-NAIL

• Optional "Quick Connect" Push-in wire connectors.

- Three "Quick Connectors"
- Pre-installed push-in wire connectors for fast and easy wiring.

Ordering Information

Housing	Ballast	Lamp(s) Watt.	Option
DLF-104	-N : 120V NPF Magnetic -H : 120V HPF Magnetic -NE : 120V NPF Electronic -HE : 120V HPF Electronic	-E : 120V/277V HPF Electronic 113 : (1)13W 118 : (1)18W 126 : (1)26W	-EM : Emergency w/ Remote Test Switch -C : Quick Connectors

Example : DLF-104-NE113

Trims

4" Compact Fluorescent Trims For

DLF-104, DLF-104R, ICF-104A(-GU24), ICF-104RA(-GU24), ICF-204A

Catalog #		Type
Project		Date
Prepared by		

FLUORESCENT

TM-214B Full Baffle
DLF-104 26W DTT, TTT
DLF-104R
ICF-204A
ICF-104A 18W DTT, TTT
ICF-104RA
ICF-104(R)A-GU24 13W GU24
 White Metal Trim Ring
 O.D : 4-7/8"



TM-219R Specular Reflector Cone
DLF-104 26W DTT, TTT
DLF-104R
ICF-204A
ICF-104A 18W DTT, TTT
ICF-104RA
ICF-104(R)A-GU24 13W GU24
 White Metal Trim Ring
 O.D : 4-7/8"



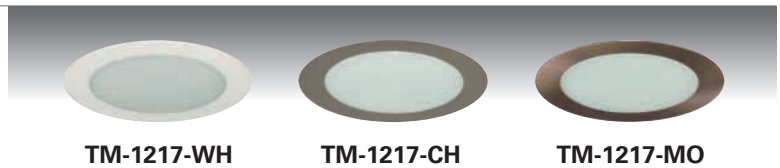
TM-1215 Fresnel Lens (w/ Reflector)
 18W DTT, TTT
 White Metal Trim Ring
 O.D : 4-7/8"



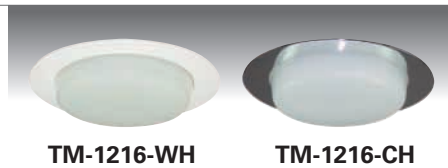
TM-1213 Frosted Lens w/ Clear Center (w/ Reflector)
 18W DTT, TTT
 White Metal Trim Ring
 O.D : 4-7/8"



TM-1217 Albalite Lens (w/ Reflector)
 18W DTT, TTT
 White Metal Trim Ring
 O.D : 4-7/8"



TM-1216 (w/ Reflector) Shower Drop Opal Lens
 18W DTT, TTT
 White Metal Trim Ring
 O.D : 4-7/8"



TM-225R Wall Wash w/ Reflector
DLF-104 26W DTT, TTT
DLF-104R
ICF-204A
ICF-104A 18W DTT, TTT
ICF-104RA
 White Metal Trim Ring
 O.D : 4-7/8"



ORDERING INFORMATION

Choose the catalog / finish codes that best suit your needs and enter it on the appropriate line.

TRIM MODEL	REFLECTOR	BAFFLE	METAL RING
	CL :Clear	WH :White	WH :White
	WH :White	BK :Black	BK :Black
	GD :Gold	SN :Satin Nickel	SN :Satin Nickel
	MA :Matte Platinum	AN :Antique Nickel	AN :Antique Nickel
	CP :Champagne	AC :Antique Copper	AC :Antique Copper
	PR :Pewter	MO :Mocha	MO :Mocha
	HC :Haze Clear	CA :Cappuccino	CA :Cappuccino
		CH :Chrome	CH :Chrome
		UN :Natural Steel	UN :Natural Steel
		PB :Polished Brass	PB :Polished Brass

Examples:

TM-1215-WH = Fresnel Lens w/ White Metal Ring
 TM-1217-WH = Albalite Lens w/ White Metal Ring